

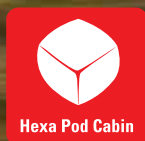
ISUZU

**ELF
NLR 71**

**BANYAK MUAT
UNTUNG JADI BERLIPAT**



Engine 4HG1-T



Hexa Pod Cabin



New Front Axle



3,360 mm

Long Wheel Base*



Grade Ability



Acceleration



New Head Unit

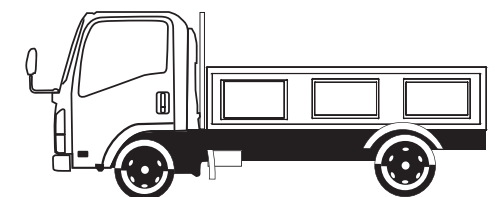
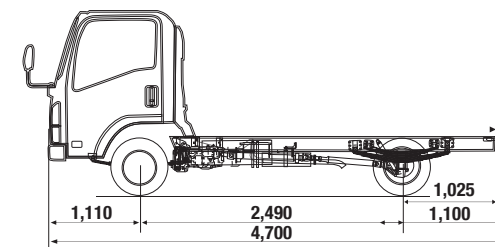
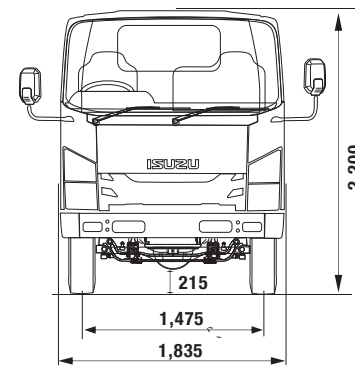
* khusus untuk NLR 71L

125PS

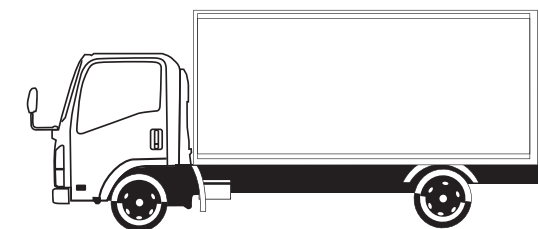
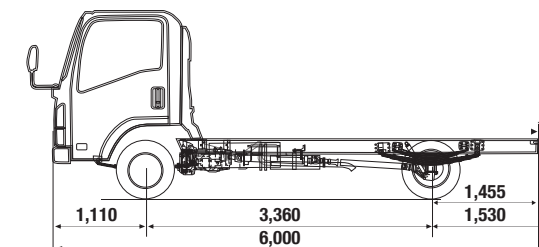
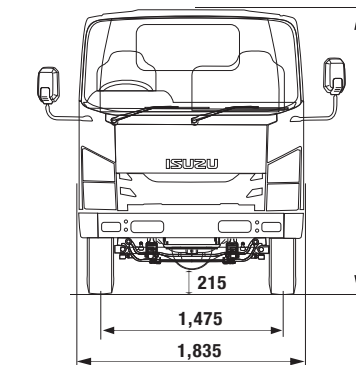
SPESIFIKASI TEKNIS

DIMENSI / DIMENSION		NLR 71T	NLR 71T L	REM / BRAKE	NLR 71T	NLR 71T L
Panjang / Overall Length (OAL)	mm	4,700	6,000	Rem Kaki / Service Brake	Hydraulic, saluran ganda dengan vacum booster	
Lebar / Overall Width (OW)	mm	1,835	1,835	Rem Tangan / Hand Brake	Mekanisme expanding di transmisi belakang	
Tinggi / Overall Height (OH)	mm	2,200	2,200	Sistem Pengereman Gas Buang / Exhaust Brake	Ada	
Jarak Sumbu / Wheelbase (WB)	mm	2,490	3,360	KAPASITAS GARDAN / AXLE CAPACITY		
Julur Depan / Front Overhang (FOH)	mm	1,110	1,110	Depan / Front	kg	2,300
Julur Belakang / Rear Overhang (ROH)	mm	1,100	1,530	Belakang / Rear	kg	2,800
Jarak Terendah Ke Tanah / Minimum Clearance (HH)	mm	215	215	RODA / TYRE		
Jejak Depan / Front Tread (AW)	mm	1,475	1,475	Ban depan / Front Tyre	Single, 7.50-15-12PR	
Jejak Belakang / Rear Tread (CW)	mm	1,395	1,395	Ban belakang / Rear Tyre	Single, 7.50-15-12PR	
Cabin to End (CE)	mm			Velg / Disc Wheel Size	15 x 5.50	
MESIN / ENGINE				SUSPENSI / SUSPENSION		
Model / Model		4HG1-T	4HG1-T	Depan / Front	Semi elliptical laminated leaf spring dengan shock absorber berdaya ganda	
Tipe / Type		Direct Injection, 4 inline, Turbo , SOHC	Direct Injection, 4 inline, Turbo , SOHC	Belakang / Rear	Semi elliptical laminated leaf spring dengan shock absorber berdaya ganda	
Diameter X Langkah/ Bore X Stroke	mm	115 x 110	115 x 110	LAIN-LAIN / OTHERS		
Isi Silinder / Piston Displacement	cc	4,570	4,570	Kapasitas Tangki / Fuel Tank Capacity	ltr	75
Tenaga Maksimum / Maximun Power	PS/rpm	125 / 2,900	125 / 2,900	Radius Putar Minimum / Minimum Turning Radius	m	5.3
Torsi Maksimum / Maximum Torque	Kgm/rpm	35 / 1,200 - 2,200	35 / 1,200 - 2,200	Daya Tanjak Maksimum / Maximum Gradeability	%	39
TRANSMISI / TRANSMISSION				Kecepatan Maksimum / Maximum Speed	km/h	125
Model / Model		MYYST	MYYST	Aki / Accu	V-Ah	12-52 x 2
Perbandingan Gigi / Gear Ratio	1st	5.315	5.315	Alternator	V-A	24-60
	2nd	3.053	3.053	Power Steering		Ada
	3rd	1.655	1.655	Tilt & Telescopic Steering		Ada
	4th	1.000	1.000	Kamera Mundur / Reverse Parking Camera		Ada
	5th	0.721	0.721	DVD, CD, MP3, USB, Aux In, Radio, SD Card		Ada
	Rev	5.068	5.068	Retractable Seat Belt		Ada
Perbandingan Gigi Terakhir / Final Gear Ratio		4.556	4.556	Fan Blower		Ada
BERAT / WEIGHT				* Untuk meningkatkan mutu dan penyesuaian dengan perkembangan teknologi, spesifikasi dapat berubah sewaktu-waktu tanpa pemberitahuan. ** Ilustrasi merupakan contoh sebagian aplikasi di lapangan.		
Berat Total Kendaraan / Gross Vehicle Weight (GVW)	kg	5,100	5,100			
Berat Kosong Kendaraan / Curb Weight	kg	1,850	1,980			

NLR 71 T



NLR 71 TL



Agan Pemegang Merek & Distributor :

PT ISUZU ASTRA MOTOR INDONESIA

www.isuzu-astra.com